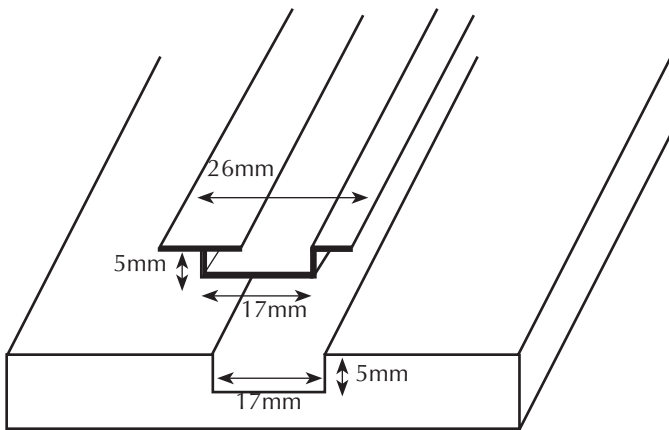
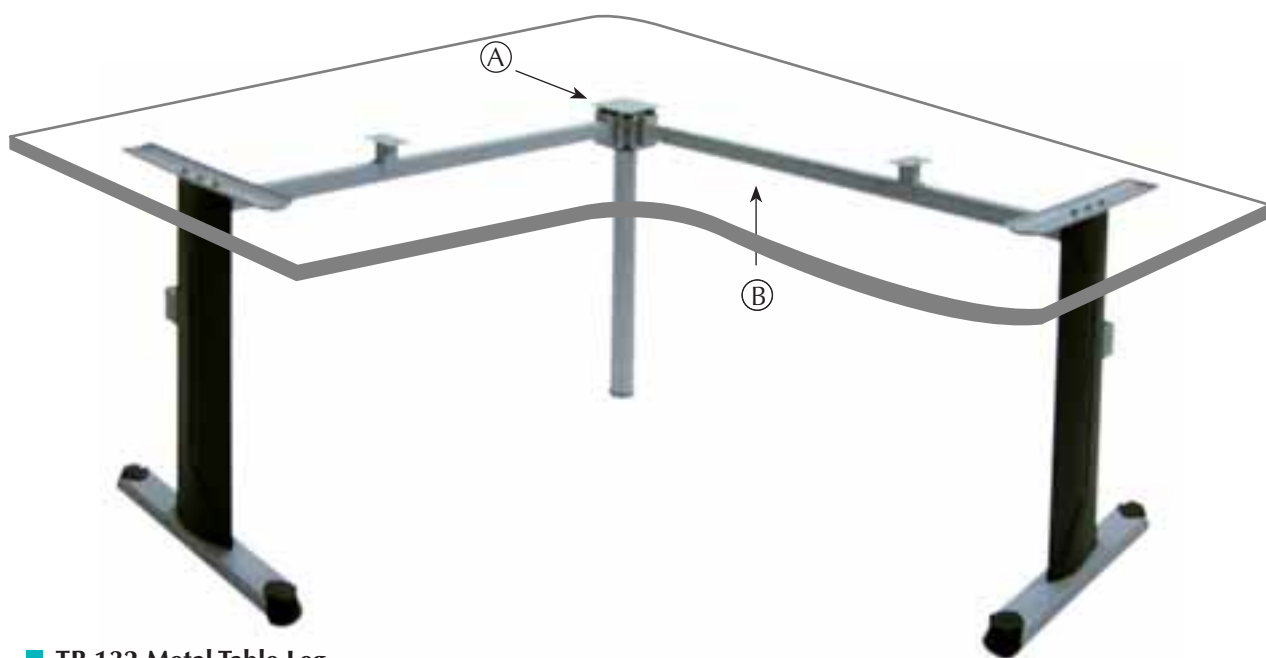


■ **Crescent Workstation**

Scanwolf's Crescent Workstations come in wood or aluminium finishes. The spacious and elegant layout of this workstation combines technological innovation with a stylish design, giving you an exceptionally well-planned personal work area. It is practical, smart and easy to install. Another undoubtable advantage is of course, its a affordable price.



Item	: TR 140 Aluminium Divider Holder
Colour	: Silver
Packing	: 3m / Pcs - 50 Pcs / Ctn



■ **TR 132 Metal Table Leg**

Extendable Bar

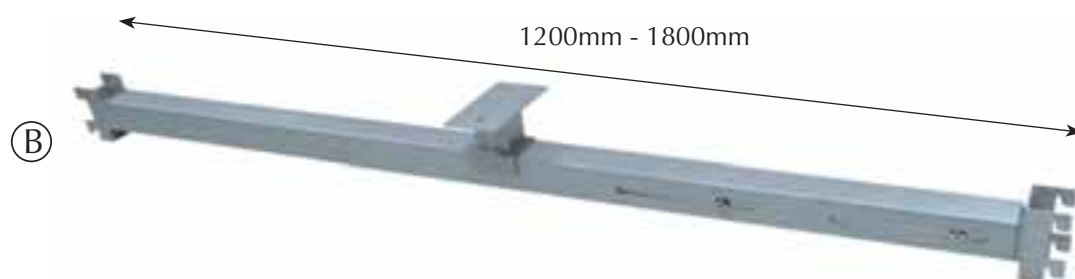
The length of office tables can be varied with this extendable bar.

■ **Vertical Connector**

The vertical connector holds the extendable bars in place and makes sure all components fit together seamlessly. It is strong and sturdy, securing the table to support substantial loads.



Item	: TR 142 Metal Leg Center Support
Colour	: Silver
Packing	: 1 Pcs / Ctn



Item	: TR 141 Metal Leg Connecting Bar
Colour	: Silver
Packing	: 1 Pcs / Ctn