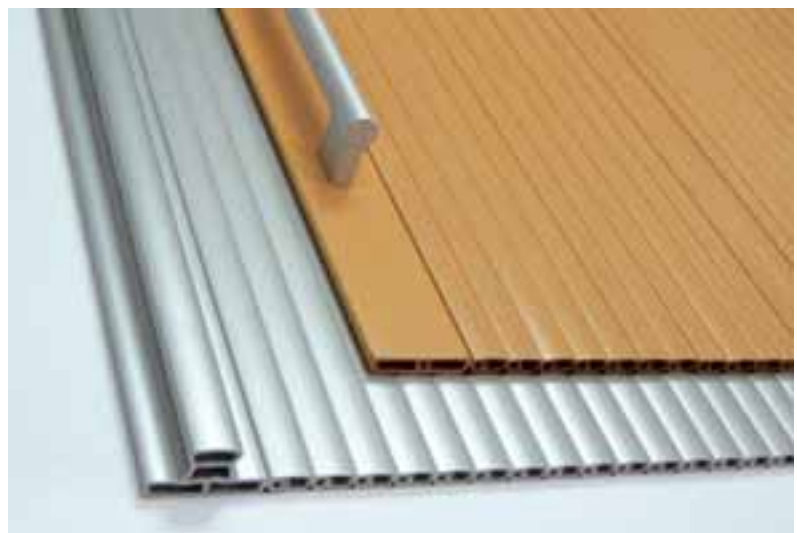


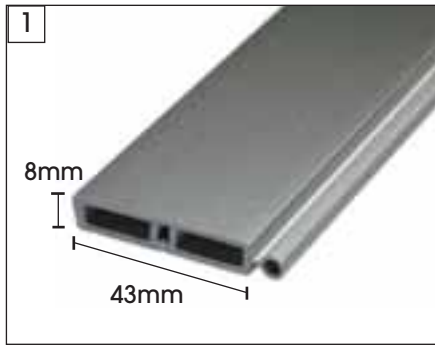


- Scanwolf's Roller Shutter System is popular in the market because of its stylish outlook and many shining attributes. Available in Metallic Silver colour, the Roller Shutter System is widely used in the kitchen as it can add a contemporary touch to any design while blending pleasantly to other furniture pieces. It can also be custom-made to the height of between 1 metre to 1.5 metre according to the fit of your cabinets.

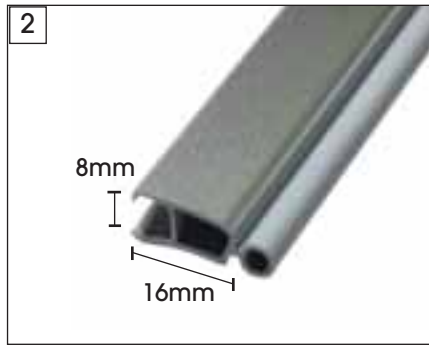
For added convenience, Roller Shutter System is sold in various sizes in ready-pack packagings.



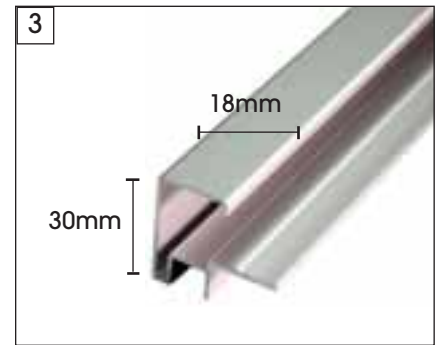
SW702 COUNTER BALANCE FITTING



Item Code : **SW 707 Profile**
 Size : 43 mm x 3.6 m
 Packing : 50 pcs / ctn



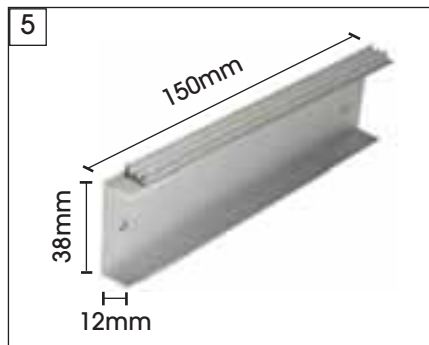
Item Code : **SW 702 Profile**
 Size : 16 mm x 3.6 m
 Packing : 120 pcs / ctn



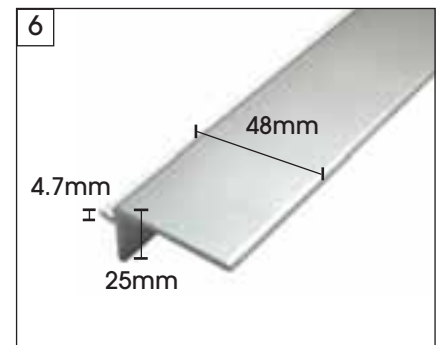
Item Code : **SW 719 Aluminium Rail**
 Size : 18 mm x 30 mm
 Colour : Silver



Item Code : **SW 715 Counter Balance Mechanism**
 Size : 410 mm, 560 mm, 760 mm



Item Code : **SW 716 Aluminium Stopper**
 Size : 38 mm x 12 mm x 150 mm



Item Code : **SW 717L Profile**
 Size : 48 mm x 3.6 mm



Item Code : **SW 700 Profile**
 Size : 22 mm x 3.6 m
 Packing : 30 pcs / ctn



Item Code : **SW 701 Profile & SW 701 End Cap**
 Size : 25 mm x 43 mm x 3.6 m
 Packing : 20 pcs / ctn



Item Code : **Filament Tape**
 Size : 30 mm x 50 mm
 Packing : 50 rolls / ctn

■ For more details on technical installation, please refer to the installation manual.

Product Dimensions Available:

External Cabinet Size	Internal Cabinet Size	Profile Size	Size of Mechanism
450mm	418mm	405mm	410mm
600mm	568mm	555mm	560mm
800mm	768mm	755mm	760mm

* Thickness of Board : 16 mm