



■ **TR 130 Metal Table Leg**

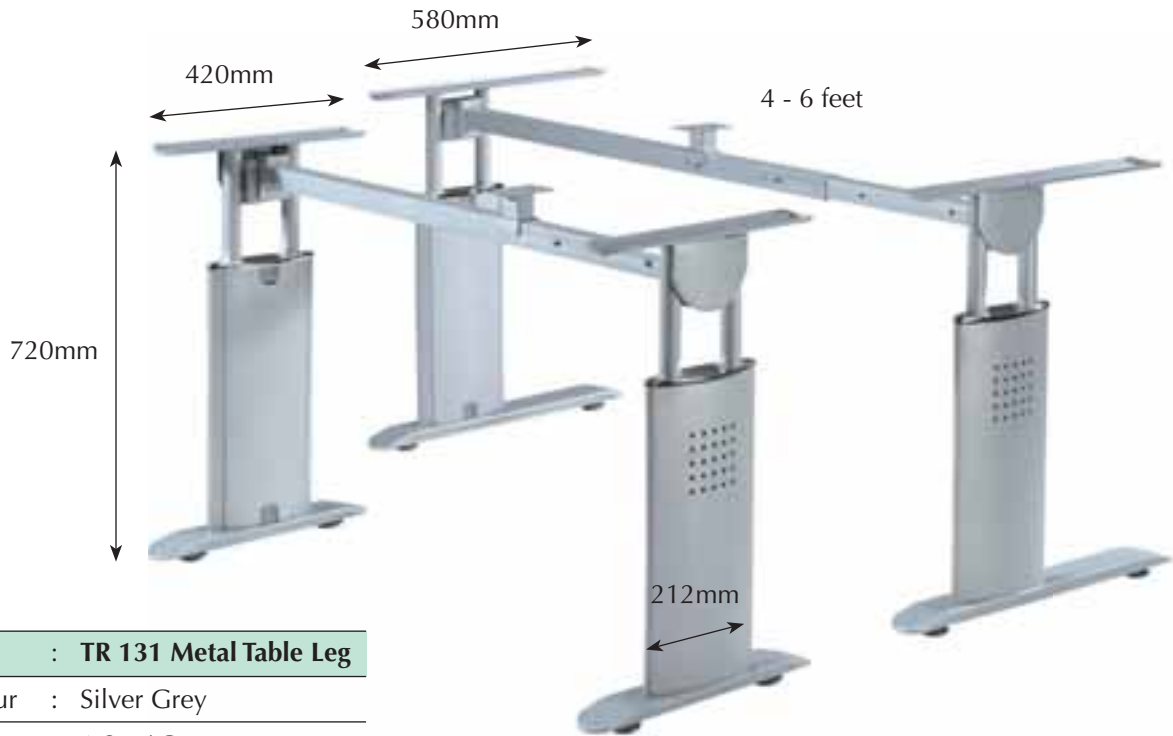
These table legs can be adjusted in height and in length, providing customised support to suit just about any user. Furthermore, they are attractive yet durable, with reliable performance that will fit any budget.



Item	: TR 130 Metal Table Leg
Colour	: Silver Grey
Packing	: 1 Set / Ctn

TR131 METAL TABLE LEG

■ TR 131 Metal Table Leg

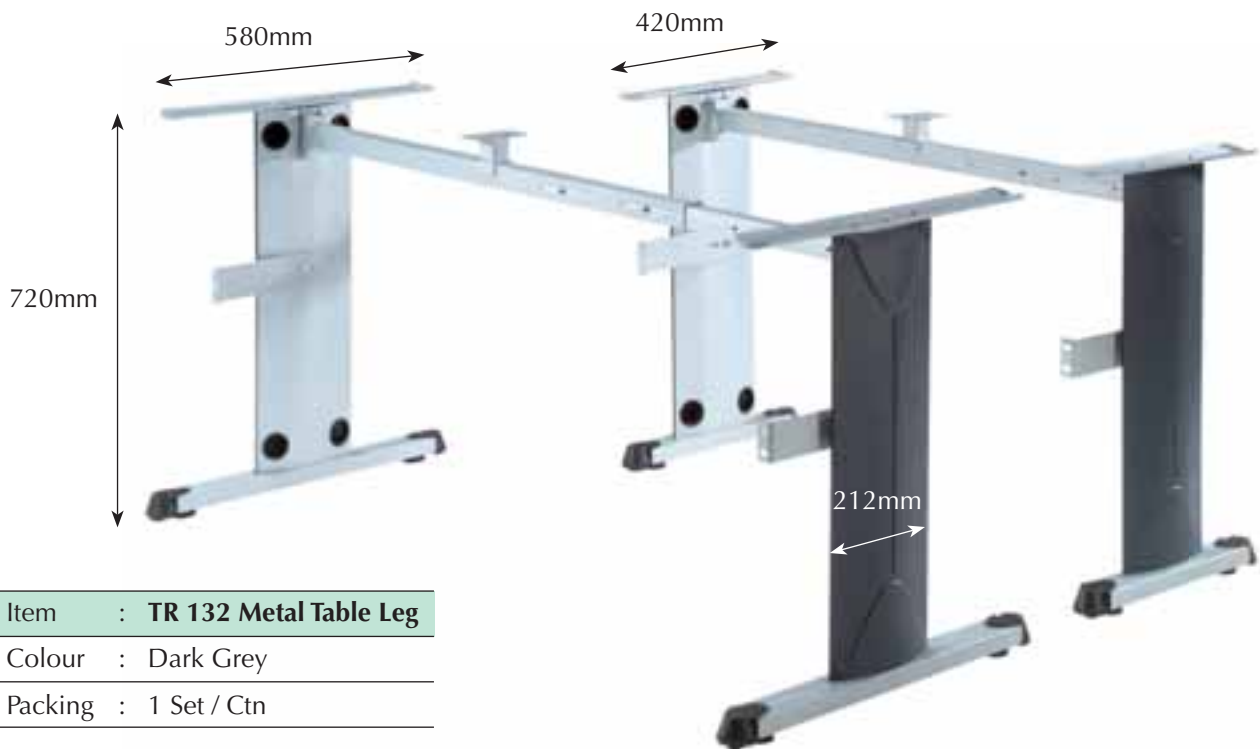


Item	: TR 131 Metal Table Leg
Colour	: Silver Grey
Packing	: 1 Set / Ctn

TR132 METAL TABLE LEG

■ TR 131 Metal Table Leg & TR 132 Metal Table Leg

With these extendable legs, the table length is adjustable to suit any preference or task required. These metal table legs are specially designed to accommodate table lengths within the range of 4 to 6 feet.



Item	: TR 132 Metal Table Leg
Colour	: Dark Grey
Packing	: 1 Set / Ctn